

LifeSize® Team 200™ - enhanced HD communications for workgroup conferencing



Feature Rich High Definition Video

LifeSize Team 200 is the next step in workgroup video communications. In a single, easy-to-use system, you get the three major benefits that LifeSize delivers:

- Superior quality
- Unique flexibility
- Unmatched price/performance

Technology is just the starting point for an improved communications experience. With LifeSize Team 200, you get True HD video quality (720p30) for natural, realistic interactions. You get unparalleled ease of use and flexibility for workgroups with dual high definition display and camera support, digital input and output connections, an embedded multi-point control unit (MCU) and dual microphones.






Committed to open architecture, LifeSize systems are standards-based, providing seamless interoperability into your existing infrastructure. And you get unmatched price performance for a video communications experience that turns ROI into a winning business proposition.

Outside-the-box working experience.

Beyond technologies, over and above service and support, there's the proven enrichment in workgroup efficiency that LifeSize Team 200 offers. LifeSize designs video communications solutions with absolute user simplicity in mind. This is the face-to-face communications experience to rely on when you need to get decisions made quickly and confidently.

LifeSize Team 200 proves once again that the LifeSize difference is the LifeSize experience: Superior video communications across cities, across countries, across continents.

LifeSize Team 200 Key Features

| Video Quality | High Definition 1280x720 - 30 fps 16x9 format |
|---|---|
| HD Monitors |  |
| HD Cameras Pan-Tilt-Zoom (PTZ) |  |
| HD Audio |  |
| External Audio & Video Input/Output | Audio: 4 in, 2 out Video: 3 in, 2 out |
| Point-to-Point HD Video Communications |  |
| Embedded Continuous Presence (CP) HD Multipoint |  |

Product Specifications - LifeSize® Team 200™

System Components

LifeSize codec with stand
High Definition PTZ LifeSize Camera
LifeSize Phone or LifeSize MicPod
Wireless remote control
Power Supply
Cables

System Configurations

LifeSize codec, LifeSize Camera, Dual LifeSize MicPod
LifeSize codec, LifeSize Camera, LifeSize Phone

Communications

H.323, SIP
128Kbps - 4.0Mbps (point-point)
128Kbps - 1.5Mbps (multipoint, per call)
1xRJ-45 Network LAN (10/100 Mbps)
1xRJ-45 for LifeSize Phone (PoE supported)
1xRJ-45 for LifeSize Networker (PoE supported)
1xRJ-11 for analog telephone line
1x3.5mm Mic In for LifeSize MicPod

Support for Multiple HD displays

Any high definition display supporting HDMI or DVI-I input
For additional information on displays, visit:
www.lifesize.com/support

High Definition 720p PTZ Camera

Support for single or dual cameras
Wide-angle zoom lens with 70 degree field of view
4x Optical zoom / 4x Digital zoom
Auto focus / Automatic gain control
10 camera presets (near or far end)
7.5M / 25ft. cable, Optional 15M / 50 ft. cable

Video Specifications/Video Resolutions

Maximum resolutions widescreen 16:9 aspect ratio
All resolutions progressive scanning
All resolutions at 30 frames per second
* 60 frames per second decode when connected to LifeSize Room 200
128Kbps (400x244pixels) Widescreen FCIF
384Kbps (768x432pixels) Cable TV
512Kbps (848x480pixels) DVD Resolution
768Kbps(1088x608pixels) 2xDVD Resolution
1Mbps or higher (1280x720pixels) High Definition
Actual resolution depends on capability of remote end and is impacted by the quality of the communication channel

Video Standards

H.261, H.263, H.263+, H.264 and H.239 compliant
Dual Streaming with video bandwidth balance

Video Formats

16:9 High Definition aspect ratio

Video Inputs (3 Inputs)

1 x High Definition Camera (720p30)
1 x HD Video In (720p30)
1 x DVI-I In (VGA enabled)

Video Outputs (2 Outputs)

1 x HD Video Out (720p30)
1 x DVI-I Video Out (720p30)

Fully Integrated, HD Audio Conference Phone

100Hz up to 16kHz
Powered by codec directly through cable

High Definition Active Dual Microphones

Dual omni-directional microphones
LifeSize MicPod Splitter
100Hz up to 16 kHz
Mute button
Powered by codec directly through cable
Includes LifeSize MicPod Extension cable (15M/50ft.)

Audio Features

High Definition audio
GIPS NetEQ packet loss concealment
Full duplex for natural conversations
Echo cancellation for echo-fee calls
Automatic gain control
Automatic noise reduction
MicPod or Dual MicPod support (optional)

Audio Standards

G.711, G.722, G.722.1 (Polycom® Siren14™), G.728, G.729, MPEG-4 -AAC-LC

Audio Inputs (4 Inputs)

1 x RJ-45 (LifeSize Phone)
2 x Stereo Line In (3.5mm)
1 x Mic In - Two channel (3.5mm)

Audio Outputs (2 Outputs)

1 x RJ-45 (LifeSize Phone)
1 x Stereo Line Output (3.5mm)

Other Supported Standards

H.221, H.224, H.225, H.231, H.241, H.242, H.245, H.281, BONDING (ISO13871), RFC 3261, RFC 3264, RFC 2190, RFC 3407

User Interface & Features

Context sensitive user interface
Graphical User Interface Call Manager
14 localized languages supported
Do Not Disturb mode

Security

Admin and User level password
SNMP security alerts
Ability to disable HTTP, SSH and Telnet services
H.235 encryption support including strict compliance
IEEE 802.1x support
Kensington Lock™

Intelligent Network Features

NAT/Firewall Traversal (H.460/SIP)
IPv4 and IPv6 support
Auto H.323 dialing
ISDN support via LifeSize Networker

Directory and Address Book

Up to 1000 local directory entries
Save, Lock, Remove Redial List features
Missed call notification
Auto-Discovery directory lookup (patent pending)
LDAP support / H.350 compliant
Meetings Directory support

Embedded HD Multipoint Control Unit

4-way HD CP multipoint conference
Transcoding support
Virtual Multiway allows participant viewing control (patent pending)
H.239 multipoint support shared from any participant
Disable multipoint option

System Management

Out of box setup via web interface and management tool
SNMP
Backup and Restore capability
JPEG snapshots through web interface

Power

AC Voltage 100-240V, 50-60 Hz, 2.5A via external power supply

Environmental Data

Operating temperature: 0 C (32 F) to 40 C (104 F)
Operating Humidity: 15% to 85%, non-condensing
Storage temperature: -20 C (-4 F) to 60 C (140 F)
Storage humidity: 10% to 90%, non-condensing

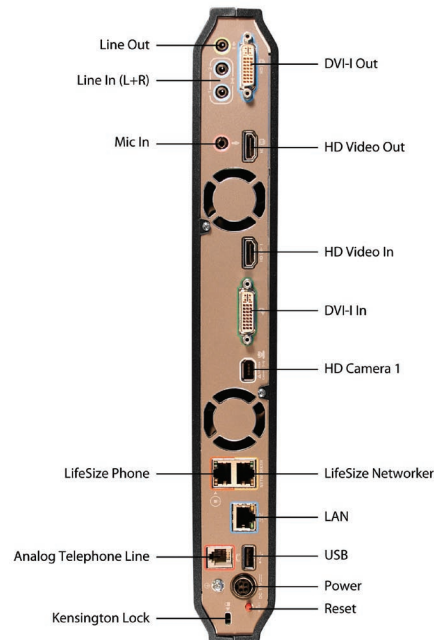
Codec Dimensions

Width: 373.9mm (14.72")
Depth: 225mm (8.86")
Height: 48.3mm (1.9")
Weight: 2.17 Kg (4.78 lbs)

Regulatory Model Number
LifeSize Team 200 = LFZ-015

For additional information: www.lifesize.com/support

Information contained in this document is subject to change without notice. LifeSize® is the registered trademark or trademark of LifeSize Communications Inc. All other trademarks are the property of their respective owners. For patents covering LifeSize® products refer to <http://www.lifesize.com/support/legal>. © Copyright 2009. All rights reserved. April 2009.



Corporate Headquarters:
901 S. Mopac Expressway
Building 3, Suite 300
Austin, Texas 78746 USA

Phone: +1 512 347 9300
Fax: +1 512 347 9301
Email: info@lifesize.com
www.lifesize.com

EMEA:
LifeSize Communications
Toll-Free Europe
008000 999 09 799

APAC:
LifeSize Communications
Hong Kong
Phone: +852 8239 3695